


ADHESIVE

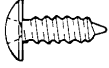
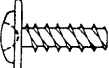


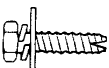
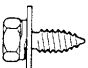
Item	Specified adhesive
Roof pad <Vehicles without sunroof>	3M Part No.EC-1368 or equivalent

SPECIAL TOOL

Tool	Number	Name	Use
	MB990784	Ornament remover	Removal of switch, trim, etc.

INSTRUMENT PANEL**REMOVAL AND INSTALLATION**

For installation of the instrument panel, the bolts and screws described below are used. They are indicated by symbols in the illustration.

Name	Symbol	Size mm (D × L)	Colour	Shape
Tapping screw	A	5 × 12	–	 A00Z0010
	B	5 × 14	–	
	C	5 × 16	–	
	D	5 × 20	Black	
	E	5 × 12	–	 B00Z0010
	F	5 × 16	–	
	G	5 × 20	–	
Washer-assembled screw	H	5 × 16	–	 C00Z0010
Washer-assembled bolt	I	6 × 16	–	 D00Z0010
	J	6 × 20	–	
	K	6 × 16	–	 E00Z0010
	L	6 × 16	Black	
Gimlet bolt	M	6 × 16	–	 F00Z0010

D = Thread diameter

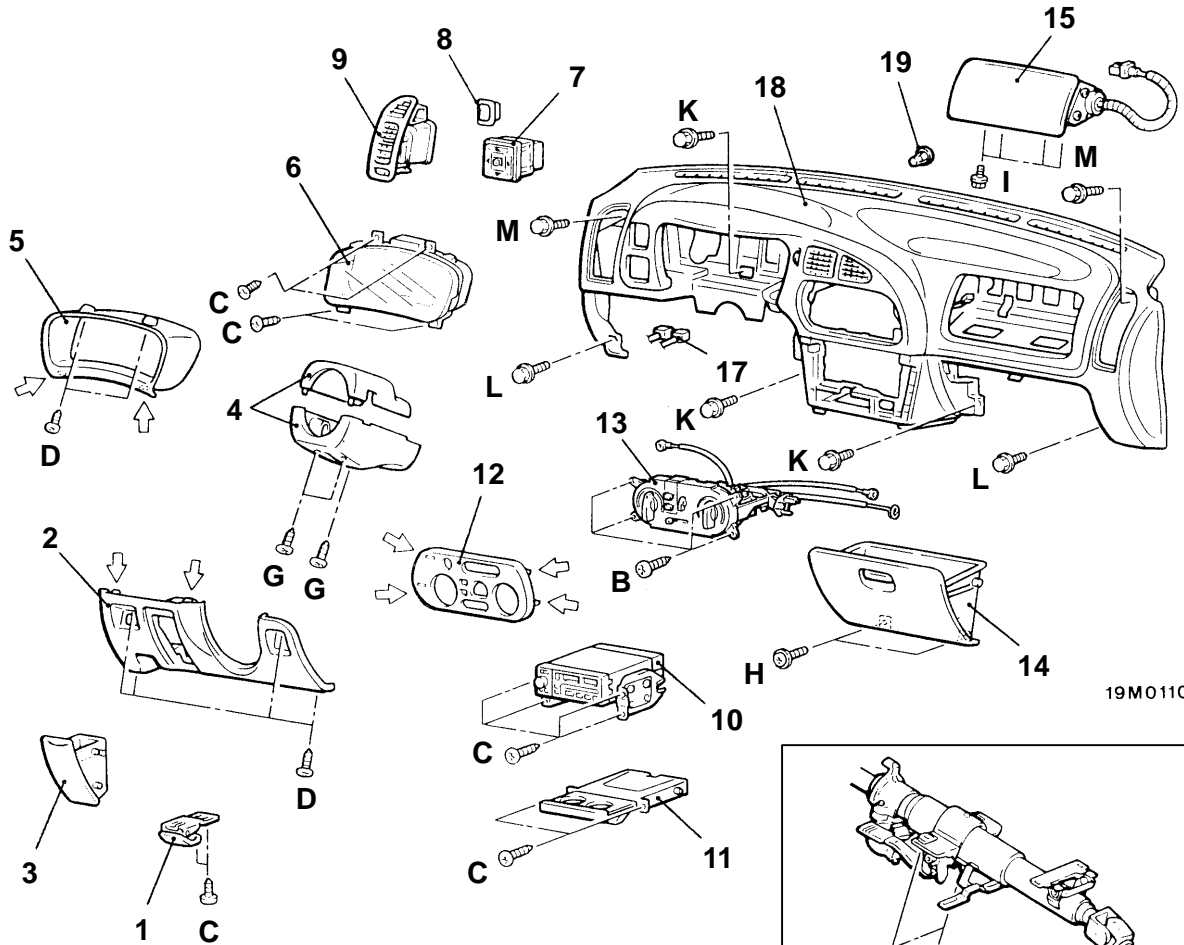
L = Effective thread length

CAUTION: SRS

- When removing and installing the floor console (vehicles equipped with SRS), do not let it bump against the SRS-ECU.
- For the passenger side air bag module removal/installation, always observe the service procedures – [Air Bag Module and Clock Spring](#).

Pre-removal and Post-installation Operation

- [Floor Console Assembly Removal and Installation](#)



19M0110

19M0103

NOTE

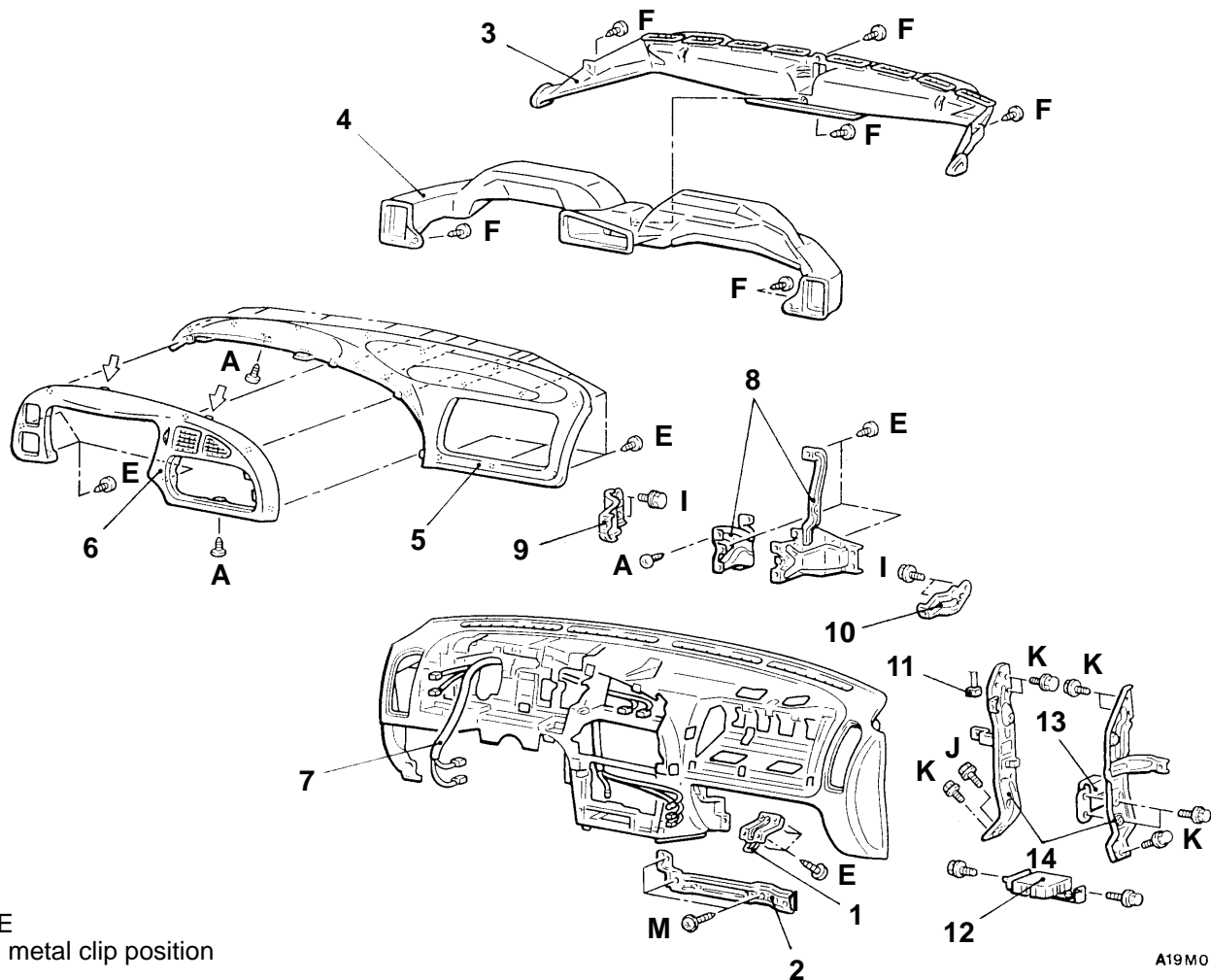
↔ : metal clip position

00004626

Removal steps

- | | |
|--|--|
| <ol style="list-style-type: none"> 1. Hood lock release handle 2. Driver side lower cover 3. Personal pocket 4. Column cover 5. Meter bezel 6. Combination meter 7. Door mirror control switch or plug 8. Fog lamp switch or plug 9. Side air outlet assembly 10. Radio and tape player or DIN bracket | <ol style="list-style-type: none"> 11. Cup holder or plug 12. Heater control panel 13. Heater control assembly 14. Glove box 15. Front passenger's air bag module assembly 16. Steering column assembly installation bolt 17. Harness connector 18. Instrument panel assembly 19. Grommet |
|--|--|

DISASSEMBLY AND REASSEMBLY



NOTE

↔ : metal clip position

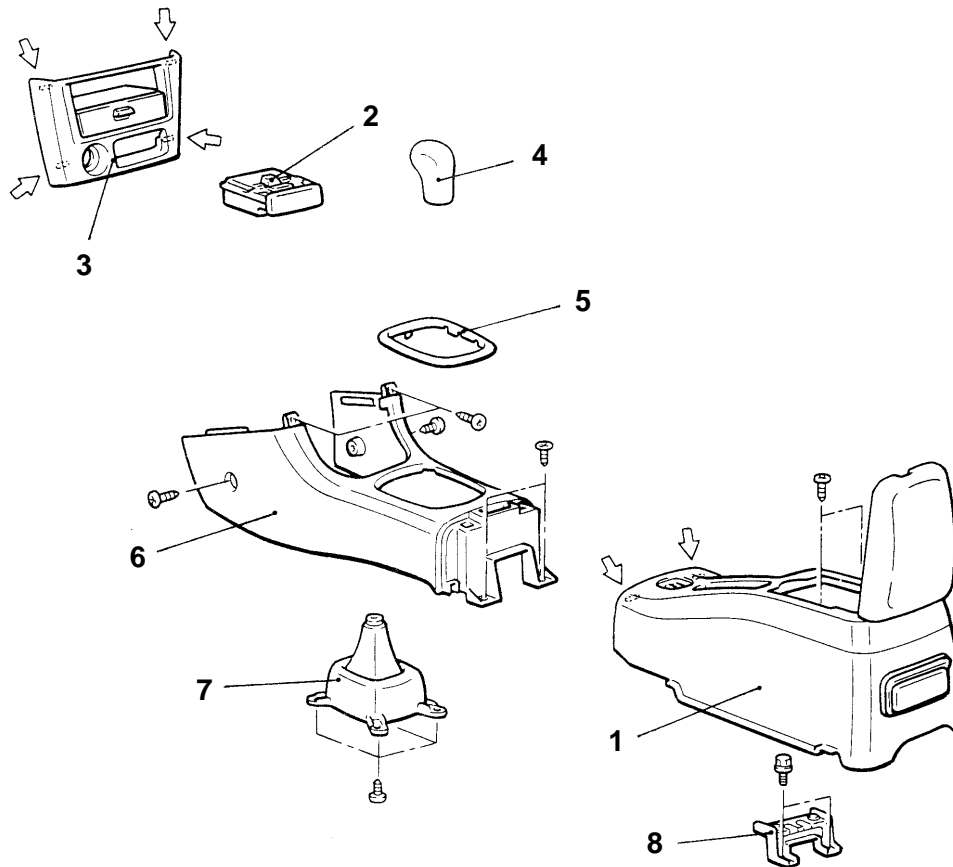
A19M0106

Disassembly steps

- | | |
|---|---|
| <ul style="list-style-type: none"> 1. Glove box striker 2. Glove box frame 3. Defroster nozzle assembly 4. Distribution duct 5. Instrument pad 6. Cluster panel 7. Instrument panel wiring harness | <ul style="list-style-type: none"> 8. Instrument panel reinforcement 9. Lower bracket (L.H.) 10. Lower bracket (R.H.) 11. Harness-ECU connector 12. ABS-ECU 13. Relay 14. Center reinforcement |
|---|---|

FLOOR CONSOLE

REMOVAL AND INSTALLATION



NOTE

↔ : metal clip position

A19M0107

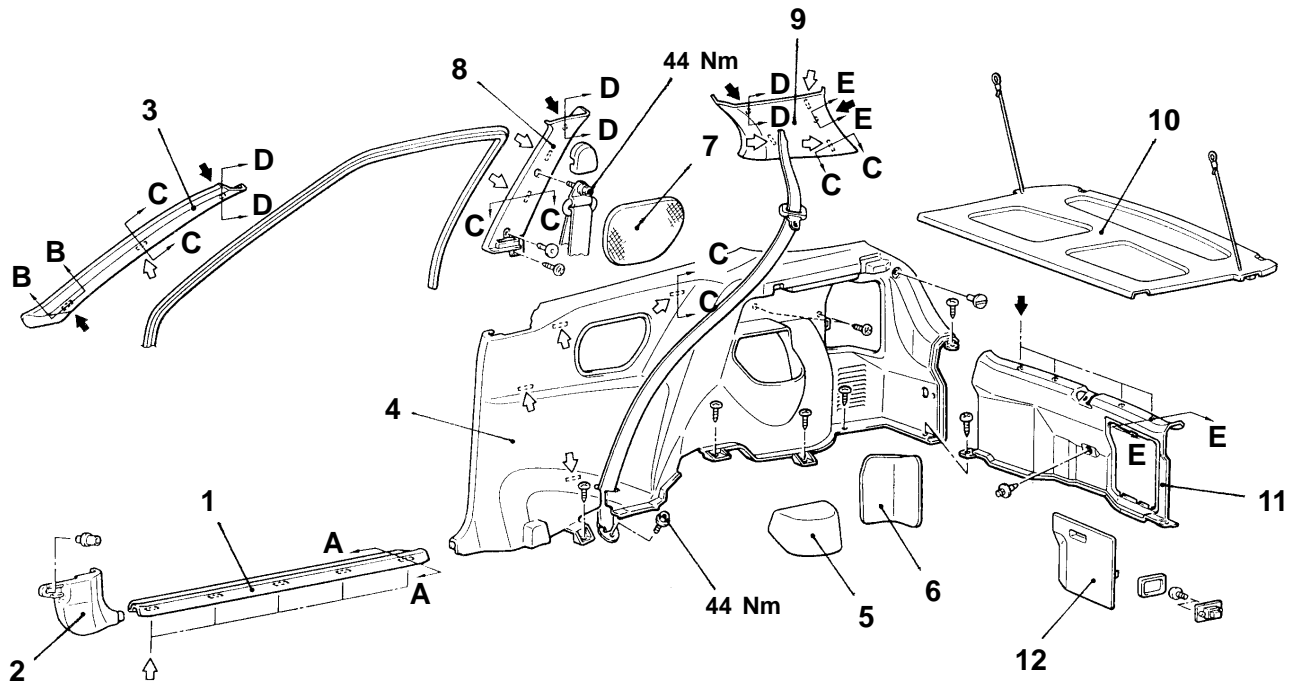
Removal steps

1. Rear floor console assembly
2. Ashtray
3. Audio panel
4. Shift lever knob <M/T>
5. A/T panel
6. Front floor console assembly
7. Shift lever cover <M/T>
8. Rear console bracket

TRIMS

REMOVAL AND INSTALLATION

<Hatchback>



19M0062

NOTE

- ↖ : metal clip position
- ➡ : resin clip position

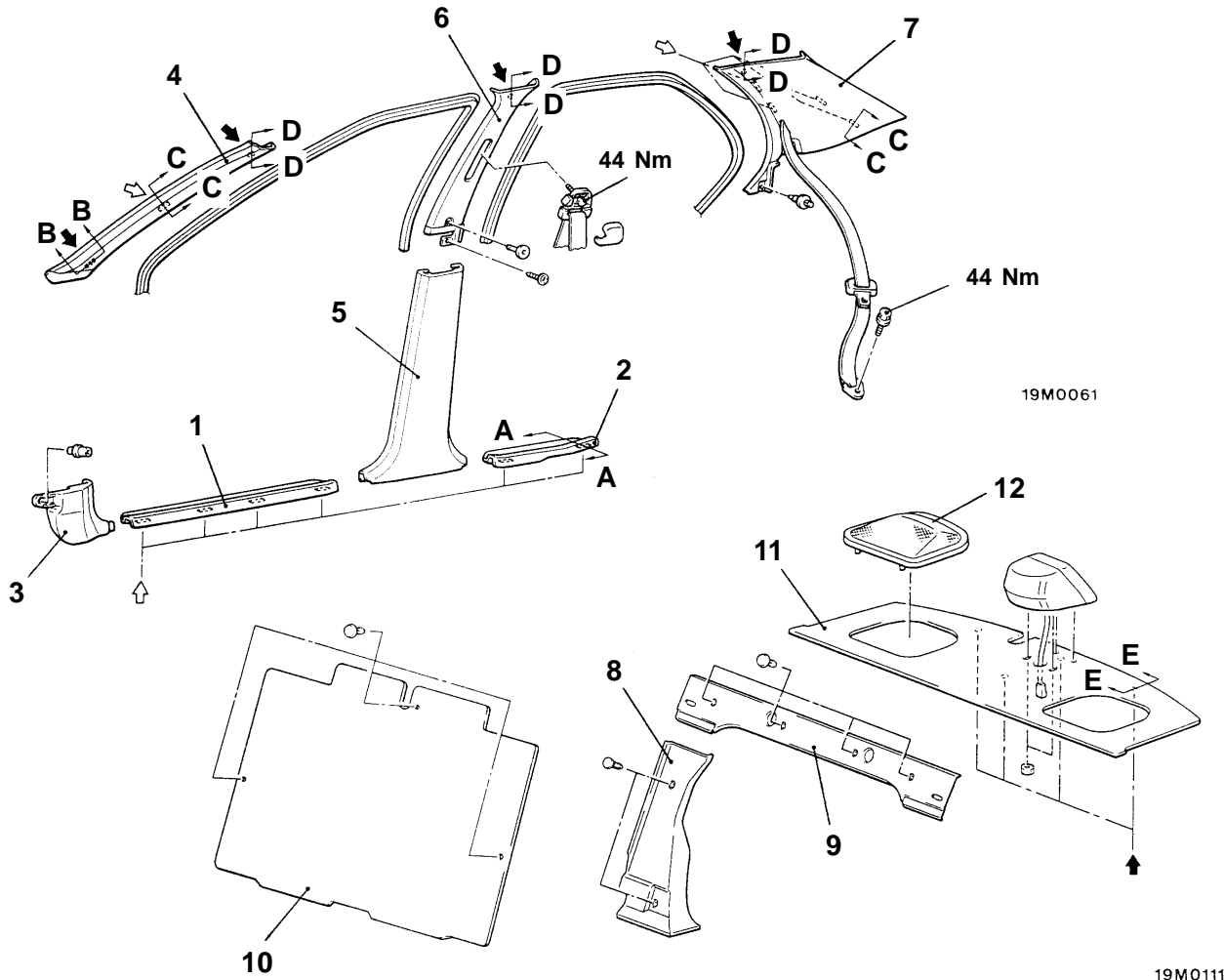
Section A-A	Section B-B	Section C-C	Section D-D	Section E-E
<p>Scuff plate Clip</p> <p>19S0006</p>	<p>Front pillar trim</p> <p>19X0029</p>	<p>Trim Clip</p> <p>19C0010</p>	<p>Headlining Trim Clip</p> <p>19S0007</p>	<p>Trim Clip</p> <p>19L0541</p>

00004599

1. Scuff plate
2. Cowl side trim
3. Front pillar trim
4. Quarter trim
5. Quarter trim lid
6. Lamp lid

7. Rear speaker garnish
8. Center pillar trim
9. Rear pillar trim
10. Rear shelf
11. Rear end trim
12. Jack lid

<Sedan>



NOTE

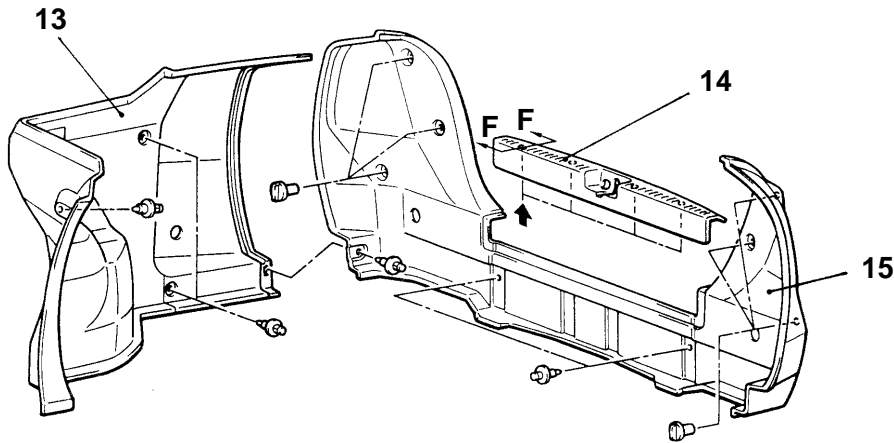
- ↖ : metal clip position
- ➔ : resin clip position

Section A-A	Section B-B	Section C-C	Section D-D	Section E-E
<p>Scuff plate Clip</p> <p>19S0006</p>	<p>Front pillar trim</p> <p>19X0029</p>	<p>Trim Clip</p> <p>19C0010</p>	<p>Headlining Trim Clip</p> <p>19S0007</p>	<p>Rear shelf trim Clip</p> <p>19L0541</p>

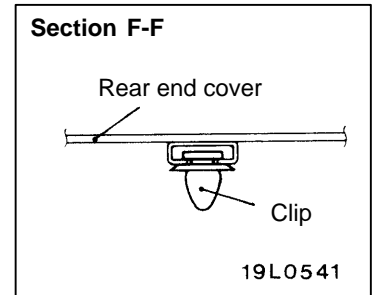
00004628

1. Front scuff plate
2. Rear scuff plate
3. Cowl side trim
4. Front pillar trim
5. Center pillar trim lower
6. Center pillar trim upper
7. Rear pillar trim
8. Rear seat back brace trim <Vehicle with split type rear seat>

9. Rear seat back trim <Vehicle with split type rear seat>
10. Rear partition board <Vehicles with bench type rear seat>
11. Rear shelf trim
12. Rear speaker garnish



19M0063

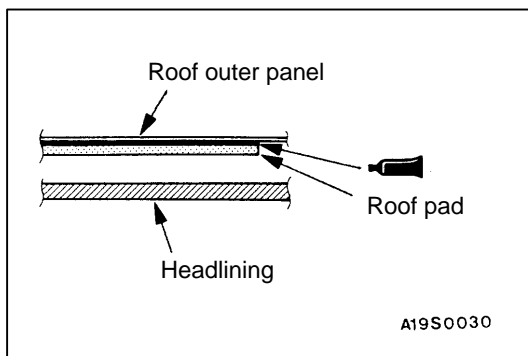


NOTE

← : resin clip position

00004601

- 13. Trunk side trim
- 14. Rear end cover
- 15. Rear end trim



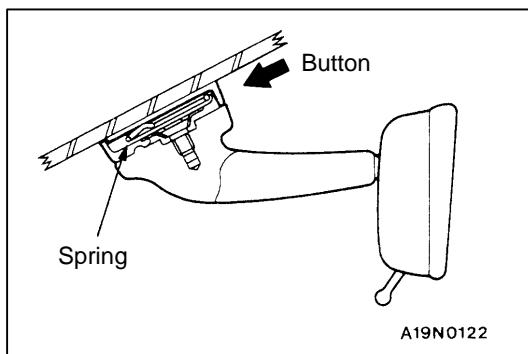
A19S0030

HEADLINING

INSTALLATION SERVICE POINT

<Vehicles without sunroof>

Specified adhesive: 3M Part No.EC-1368 or equivalent



A19N0122

INSIDE REAR VIEW MIRROR

REMOVAL SERVICE POINT

Remove by pushing in the direction of the arrow in the illustration.

NOTE

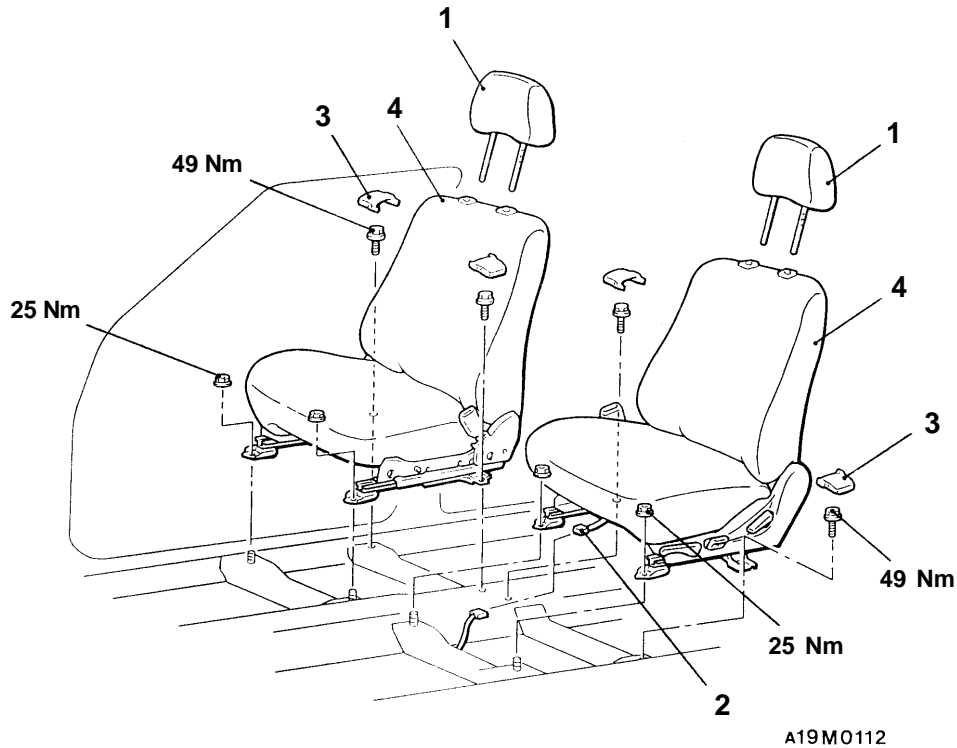
1. The mirror spring fits firmly in the groove of the button that is attached to the glass.
2. The mirror breaking load is within 450 N.

FRONT SEAT

REMOVAL AND INSTALLATION

Pre-removal and Post-installation Operation

- Rear Floor Console Assembly Removal and Installation



1. Headrest

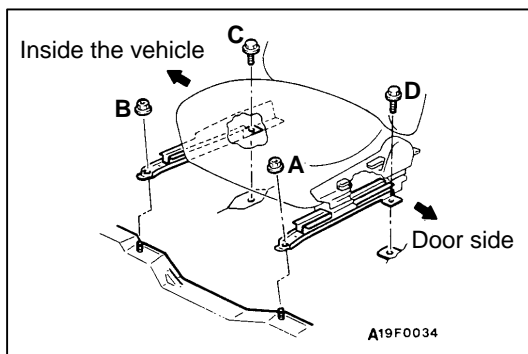
Front seat assembly removal steps

2. Harness connector <vehicles for GCC>
3. Seat anchor cover
4. Front seat assembly



NOTE

After provisionally tightening the seat assembly mounting nuts and bolts in every installation location, fully tighten them to the specified torque.



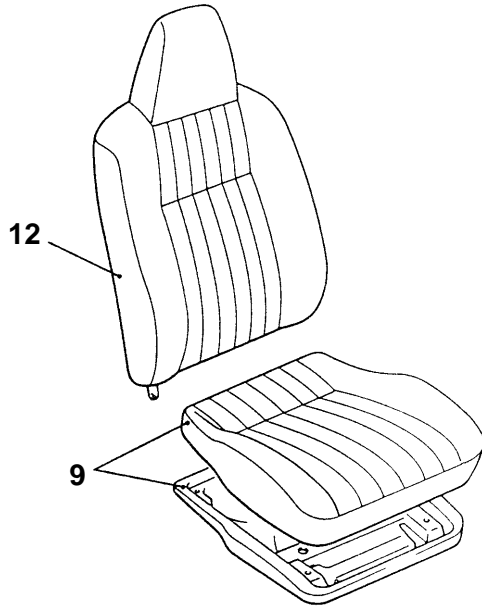
INSTALLATION SERVICE POINT

►A◄ FRONT SEAT ASSEMBLY INSTALLATION

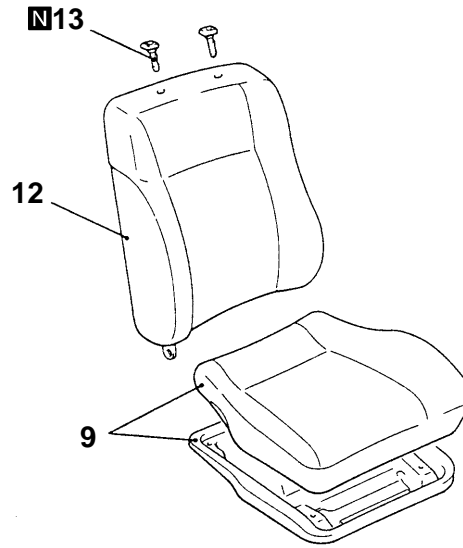
Tighten the front seat mounting bolts in the order A, B, C, and D.

DISASSEMBLY AND REASSEMBLY

<High-back seat>

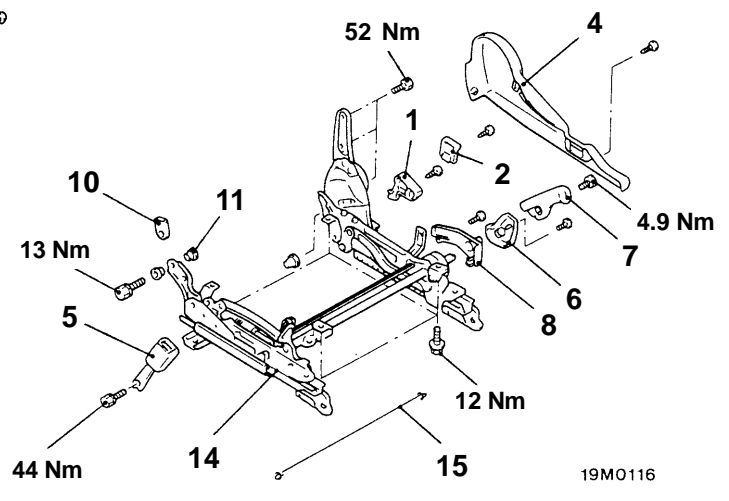
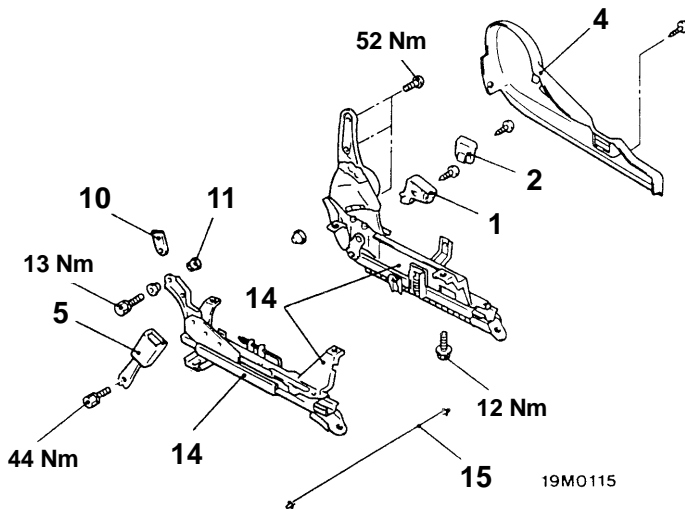
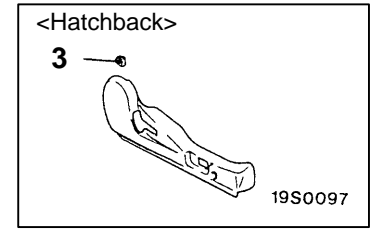


<Low-back seat>



<Vehicles without
height adjuster>

<Vehicles with
height adjuster>



Disassembly steps

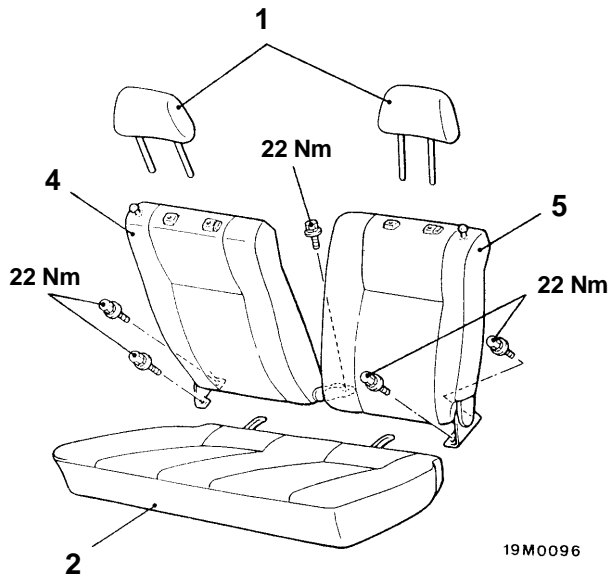
1. Reclining adjusting knob
2. Slide adjusting knob
3. Walk-in knob <Hatchback>
4. Front seat side shield cover
5. Inner seat belt
6. Front seat height adjuster inner lever
7. Front seat height adjuster lever

8. Front seat inner cover
9. Front seat cushion frame
10. Protector
11. Bushing
12. Front seat back assembly
13. Headrest guide
14. Seat adjuster assembly
15. Pull wire

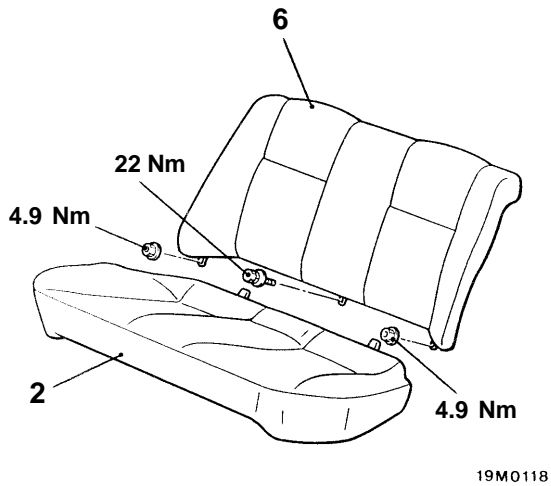
REAR SEAT

REMOVAL AND INSTALLATION

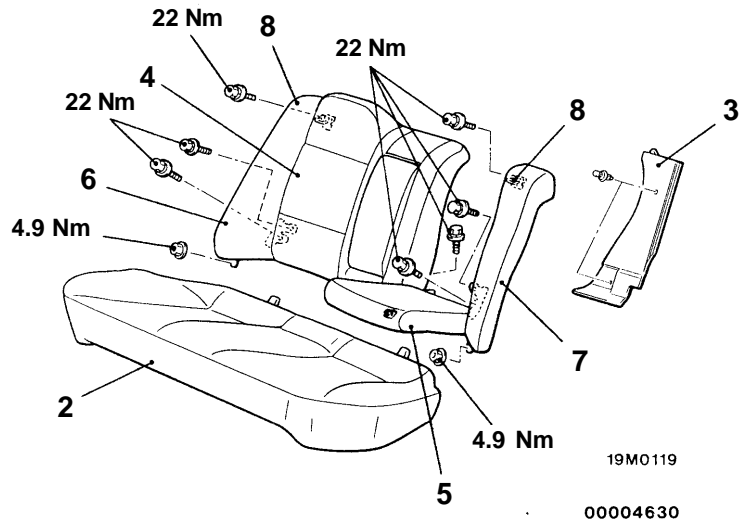
<Hatchback>



<Sedan – bench type seat>

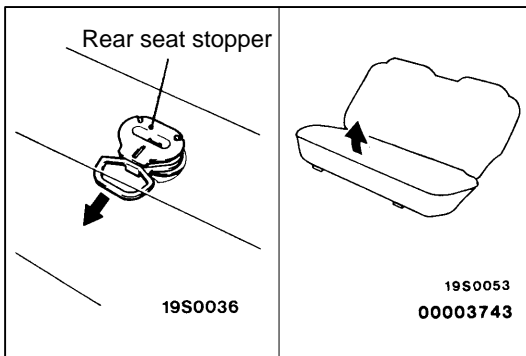


<Sedan – split type seat>



Removal steps

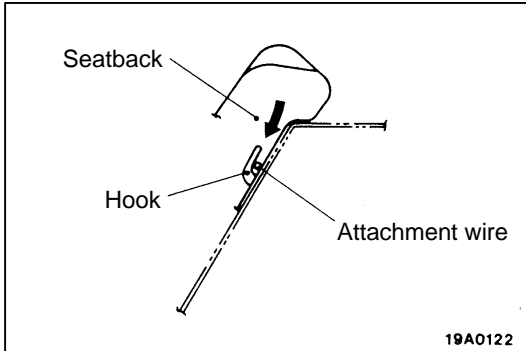
- 1. Headrest
- 2. Seat cushion
- 3. Seatback trim
- 4. Seatback (R.H.)
- 5. Seatback (L.H.)
- 6. Seatback
- 7. Side seatback (R.H.)
- 8. Side seatback (L.H.)
- 9. Seat striker



REMOVAL SERVICE POINT

◀A▶ SEAT CUSHION REMOVAL

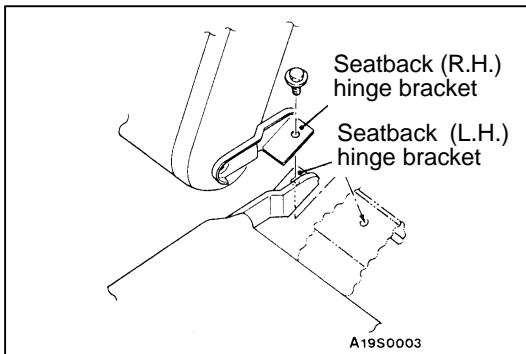
While keeping the rear seat stopper pulled, lift up the seat cushion to remove it.



INSTALLATION SERVICE POINTS

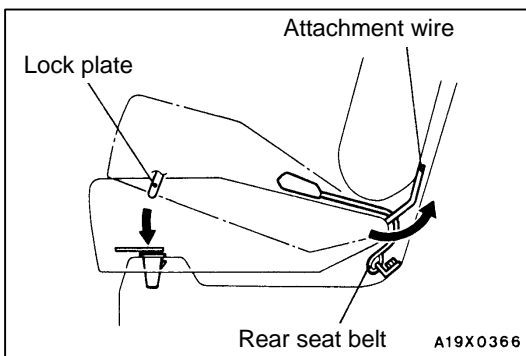
▶A◀ SIDE SEATBACK (L.H.)/SIDE SEATBACK (R.H.) INSTALLATION

Push the side seatback in the direction indicated in the illustration; then securely attach the attachment wire to the body side hook and install the side seatback.



▶B◀ SEATBACK (L.H.)/SEATBACK (R.H.) INSTALLATION

Place the seatback (L.H.) hinge bracket facing downwards and the seatback (R.H.) hinge bracket facing upwards, and then install the bolt.



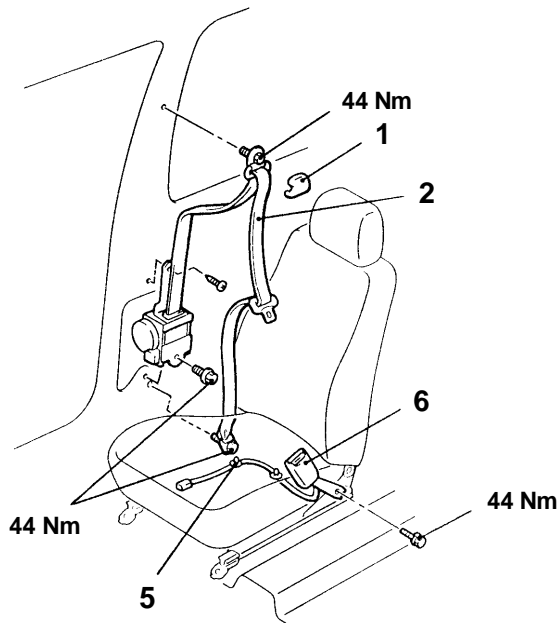
▶C◀ SEAT CUSHION INSTALLATION

1. Pull the rear seat belt on top of the seat cushion.
2. Insert the seat cushion attachment wire securely below the seatback.
3. Insert the seat cushion lock plate securely into the floor holes.

FRONT SEAT BELT

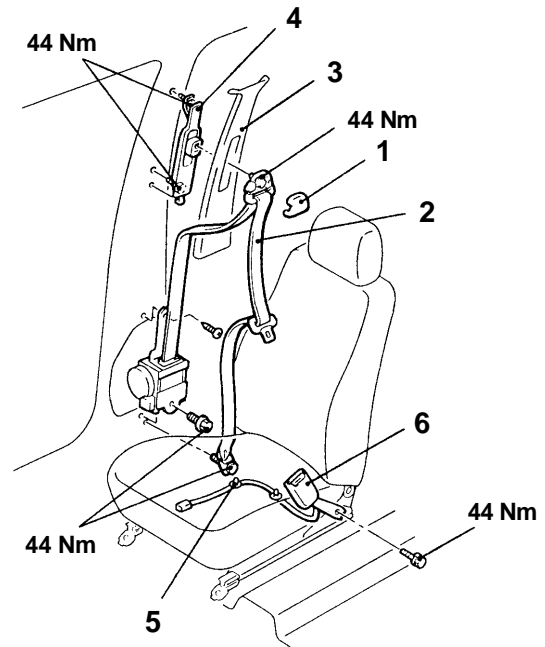
REMOVAL AND INSTALLATION

<Vehicles without adjustable seat belt anchor>



19M0113

<Vehicles with adjustable seat belt anchor>



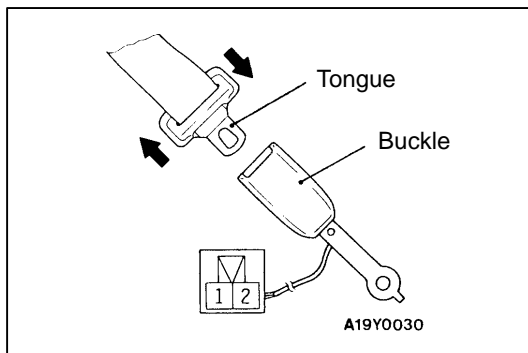
19M0114
00004631

Outer seat belt removal steps

- Quarter trim <Hatchback>
- Center pillar trim lower<Sedan>
- 1. Sash guide cover
- 2. Outer seat belt
- 3. Center pillar trim upper

Inner seat belt removal steps

- Front seat
- 5. Clip <Vehicles for GCC>
- 6. Inner seat belt



INSPECTION

SEAT BELT SWITCH CONTINUITY CHECK

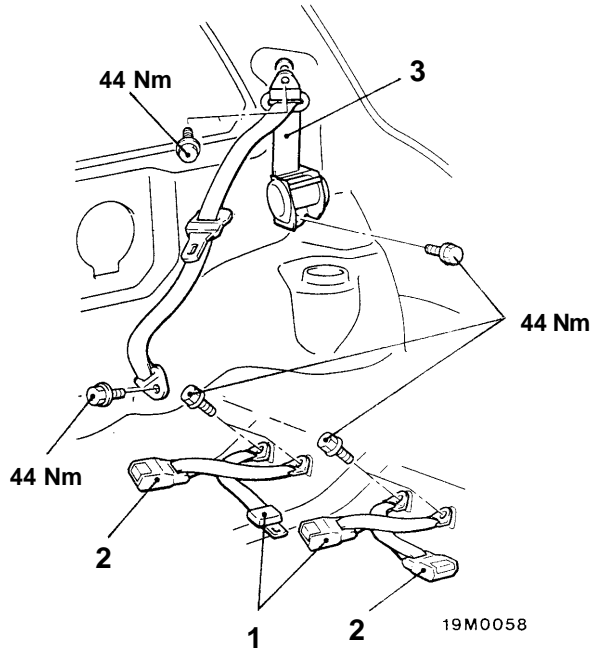
<VEHICLES FOR GCC>

Items	Terminal No.	
	1	2
Fastened seat belt		
Unfastened seat belt	○	○

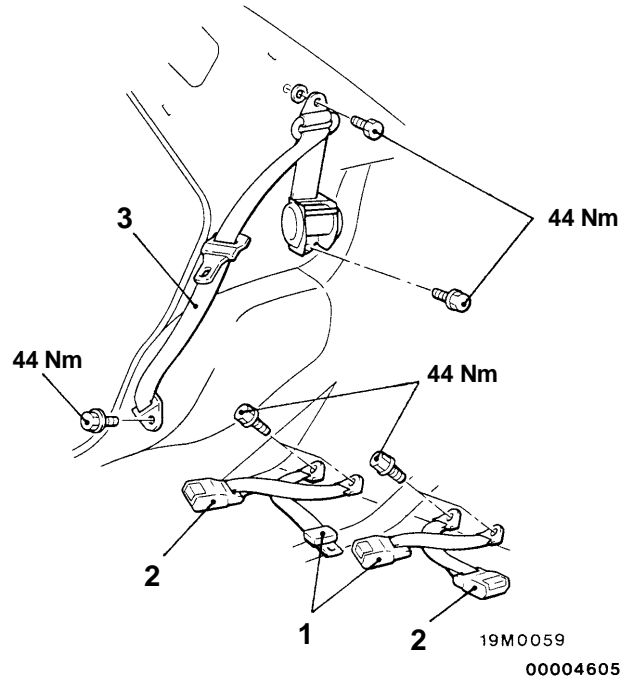
REAR SEAT BELT

REMOVAL AND INSTALLATION

<Hatchback>



<Sedan>



Removal steps

- [Rear seat](#)
- 1. Inner, outer seat belt (center seat belt)
- 2. Inner seat belt
- [Quarter trim](#) <Hatchback>
- [Rear pillar trim](#)
- 3. Outer seat belt